

THE GLASS BALUSTRADES FOR HOUSING & OFFICES



OPTIMAL

BY ITS **PRICE**

BY ITS **COMPACTNESS**

BY ITS **PERFORMANCE**

Its design is minimalist like its price!

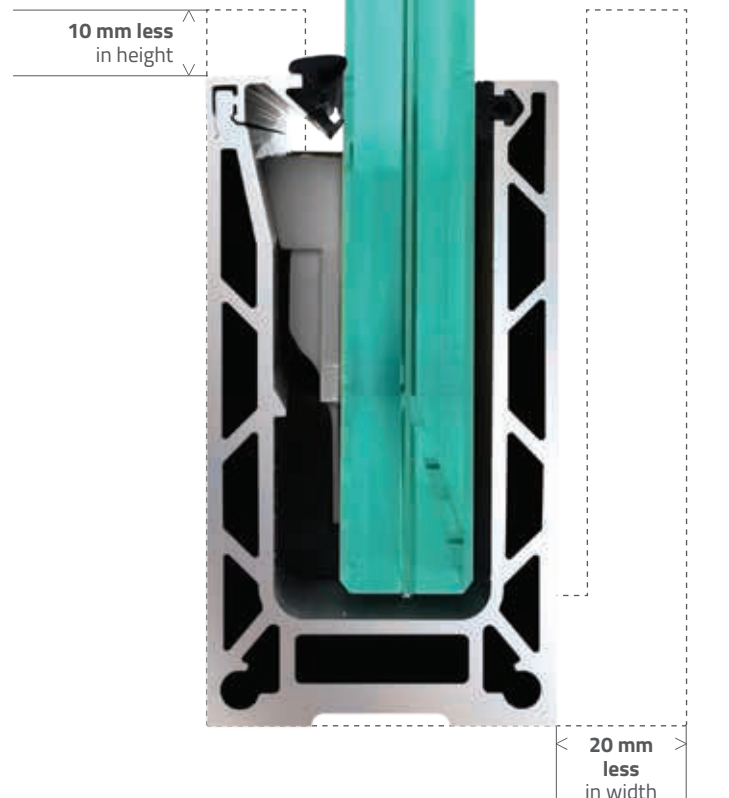
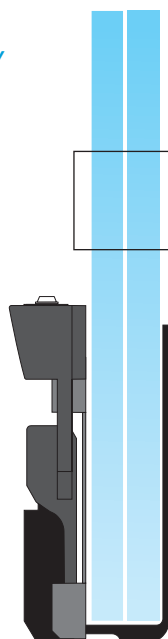
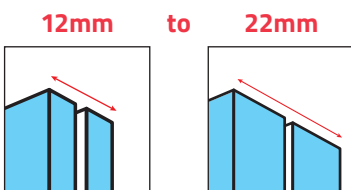
This new **OSF rail** is the narrowest in its category: **55 mm wide**, the most efficient on the market with this compactness. It can be used to create guardrails that meet ERP standards. Glass thicknesses range from **12 to 22 mm**.

For a price defying all competition!

TESTED & APPROVED ✓

WIDE COMPATIBILITY OF GLASS

Glass: **from 12 to 22mm**
Monolithic or laminated



SIMPLE

TO ORDER

TO STORE

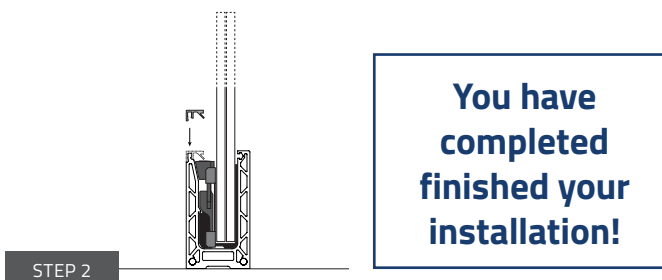
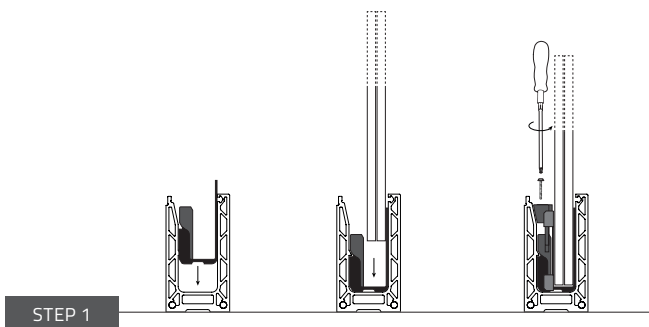
TO INSTALL

Less accessories... **Your order is simplified.**
Its weight and size **optimize its storage.**

Easy to install from one side only!

Installation is quick and easy in two steps:

- first, you have to put the wedge in position and tighten it, on one side of the glass (ONE SIDE),
- the second and final step is to install the single cover and gasket.



INSTALL, IT'S FIXED!

1 ONE SIDE ONE STEP!



Optimize your installation times even more!
Very fast tightening, on one side only.

2 CLADDING WITH GASKET

Only one cladding to fix



FLEXIBLE

BY ITS **TYPES OF MOUNTINGS**

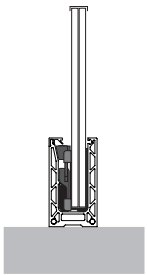
BY ITS SUPPORTS

BY ITS APPLICATIONS

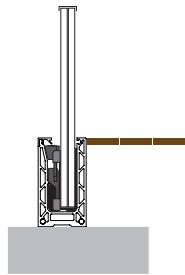
Flexible, it adapts to all situations!

The OSF system can be used in many different installation configurations: **floor, recessed, lateral, inverted lateral, curved, rampant...**

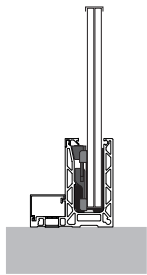
It can be fixed on all structures (concrete, wood, metal), and meets the requirements of private and public applications.



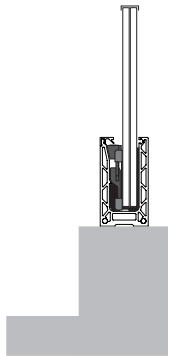
FLOOR MOUNTING



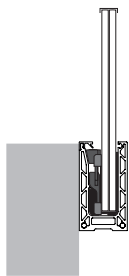
BUILT-IN-SLAB MOUNTING



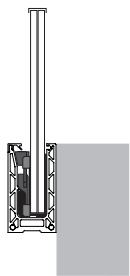
OFFSET FLOOR MOUNTING



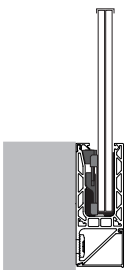
ACROTERION MOUNTING



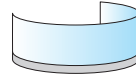
LATERAL MOUNTING



LATERAL INVERTED SIDE MOUNTING

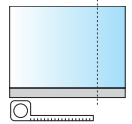


OFFSET LATERAL MOUNTING



CURVED

Curved railings. Bending is possible from a minimum radius of 1 meter.



TAILOR MADE

The OSF system adapts to corners.

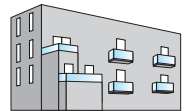


INCLINE

Up to 40° angle to the horizontal.



PRIVATE



PUBLIC

Compatible with all structures



OPTIMAL, SIMPLE, FLEXIBLE... AND ECOLOGICAL!



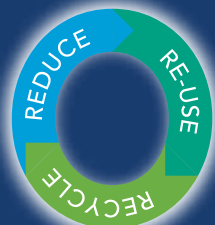
Packaging &
recyclable product

Our wedges are made
with **100% recycled ABS plastic**
(*Acrylonitrile Butadiène Styrene*).

At each end of life of our holds,
this material is recovered and mixed
with virgin ABS to make new products.



Our patented
systems are
made in France.



SUSTAINABLE, a priority

Our products are designed
to be sustainable, not only
through **their performance**
but also through the **choice**
of **materials used**.



Form of
Declaration
Environmental and
Sanitary Declaration

FLOOR MOUNTING

PROFILE 0970

GLASS THICKNESS
12.4 > 21.6 mm



APPLICATION | RESIDENTIAL | PUBLIC |

POSSIBLE FINISHES



01
Anodized
aluminum



03
RAL

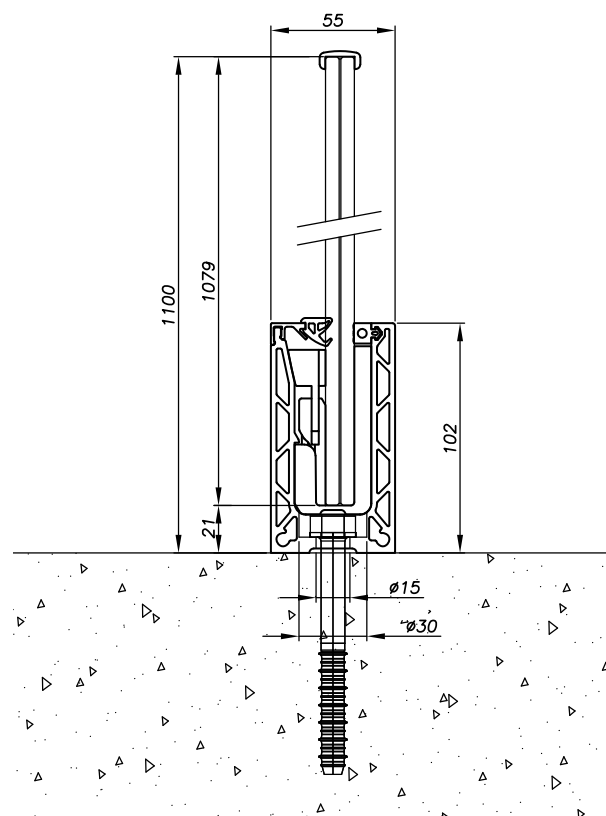


03B
RAL
BLACK



TECHNICAL CHARACTERISTICS

Length	3 000 mm (0090SF-R70) 6 000 mm (0090SF-R80)
Width	55 mm
Height of profile	102 mm
Material	Anodized aluminum 20 µm
Type of application	Residential / public
Type de mounting	Floor, acroterion
Thickness of glass	Laminated. 6.6 (12.4 > 13.9 mm) 8.8 (16.2 > 17.6 mm) 10.10 (21.2 > 21.6 mm)
Height of guardrail	1 100 mm
Profile finish	Anodized aluminum RAL - black
Fixing the profile	Every 300 mm



CERTIFICATIONS



ONE SIDE FIXE WEDGES

Glasses: 6.6

Glass thickness: 12.4 > 13.9
Ref. : 009OSF-K12-0606

Glasses: 8.8

Glass thickness: 16.2 > 17.6
Ref. : 009OSF-K12-0808

Glasses: 10.10

Glass thickness: 21.2 > 21.6
Ref. : 009OSF-K12-1010

CLADDING GASKET

SNAP-FIT



Ref. : 009JC0809A-N



Ref. : 009JC0309A-N



HIGH CLADDING

Ref. : 009OSF-C310
Length: 3 m

Ref. : 009OSF-C610
Length: 6 m



CLADDING GASKET

PRESS-IN

Glasses: 06.06
Ref. : 009JOINT0606

Glasses: 08.08
Ref. : 009JOINT0808

Glasses: 10.10
Ref. : 009JOINT1010



END CAP

Ref. 009OSF-CEC01



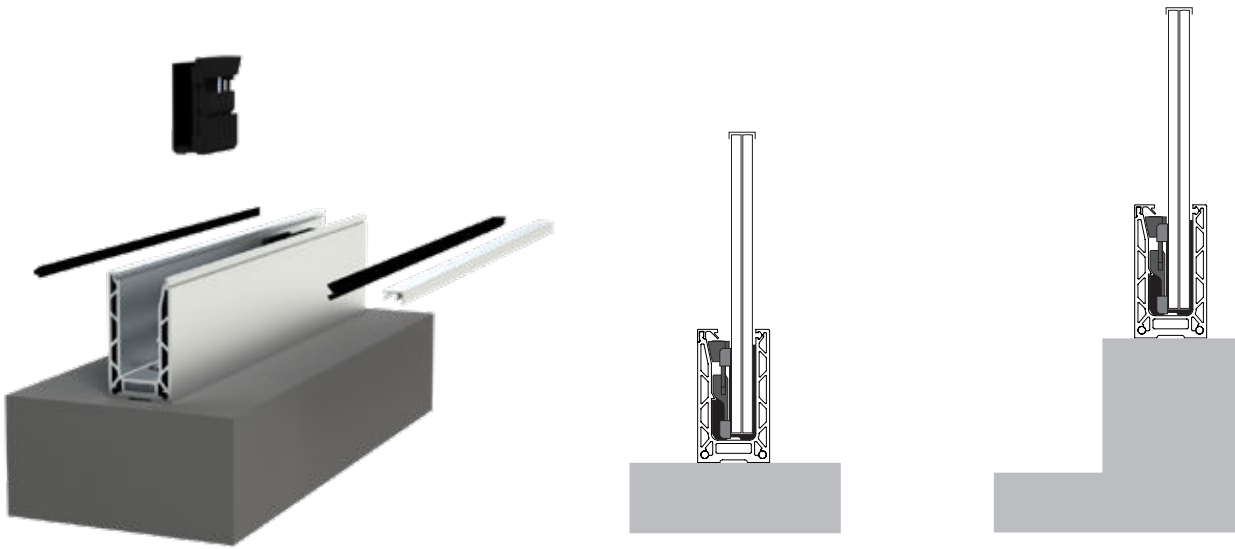
CUSTOMIZE YOUR FINISHES



ANODIZED ALUMINUM
Code: 01



RAL
Code: 03

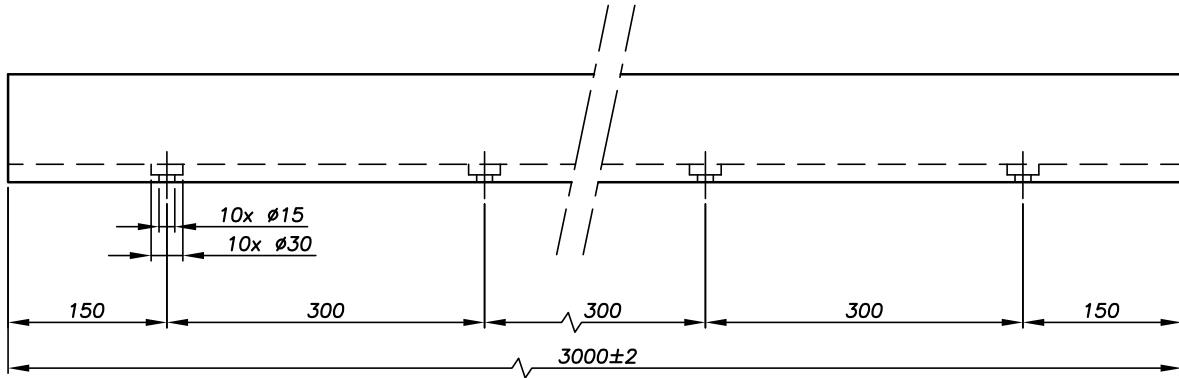


FLOOR MOUNTING

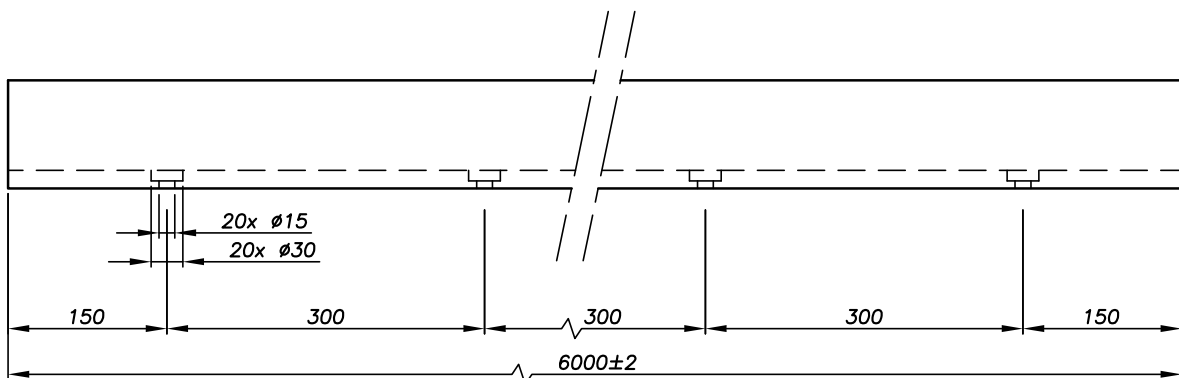
ACROTERION MOUNTING

TECHNICAL PLANS

► 3 000 mm - Reference **0090SF-R70**



► 6 000 mm - Reference **0090SF-R80**





BUILT-IN-SLAB MOUNTING

PROFILE 0970

GLASS THICKNESS
12.4 > 21.6 mm



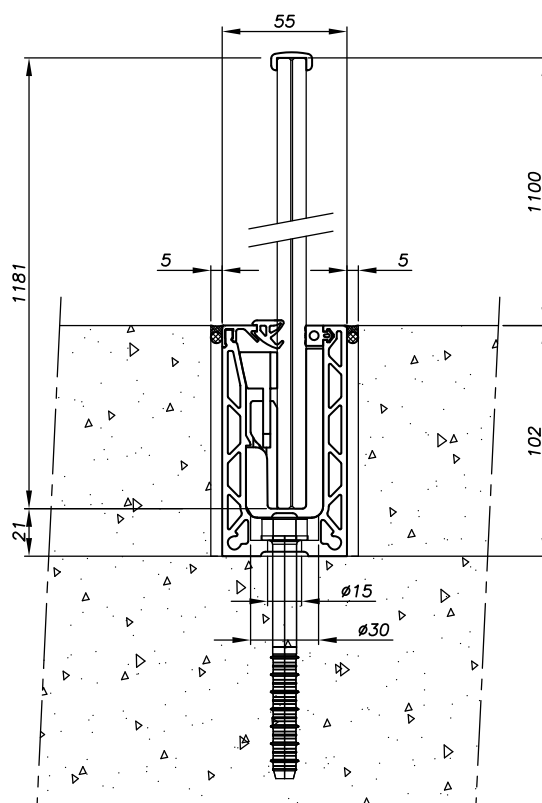
APPLICATION | RESIDENTIAL | PUBLIC |

POSSIBLE FINISHES



TECHNICAL CHARACTERISTICS

Length	3 000 mm (0090SF-R70) 6 000 mm (0090SF-R80)
Width	55 mm
Height of profile	102 mm
Material	Anodized aluminum 20 µm
Type of application	Residential / public
Type de mounting	Built-in-slab
Thickness of glass	Laminated. 6.6 (12.4 > 13.9mm) 8.8 (16.2 > 17.6mm) 10.10 (21.2 > 21.6mm)
Height of guardrail	1 100 mm
Profile finish	Anodized aluminum RAL - black
Fixing the profile	Tous les 300 mm



CERTIFICATIONS



ONE SIDE FIXE WEDGE

Glasses: 6.6

Glass thickness: 12.4 > 13.9
Ref. : 009OSF-K12-0606

Glasses: 8.8

Glass thickness: 16.2 > 17.6
Ref. : 009OSF-K12-0808

Glasses: 10.10

Glass thickness: 21.2 > 21.6
Ref. : 009OSF-K12-1010

CLADDING GASKET

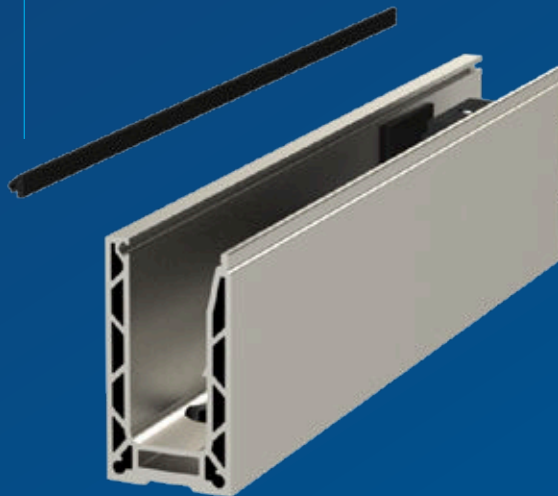
SNAP-FIT



Ref. : 009JC0809A-N



Ref. : 009JC0309A-N



HIGH CLADDING

Ref. : 009OSF-C310
Length: 3 m

Ref. : 009OSF-C610
Length: 6 m



CLADDING GASKET

PRESS-IN

Glasses: 06.06

Ref. : 009JOINT0606

Glasses: 08.08

Ref. : 009JOINT0808

Glasses: 10.10

Ref. : 009JOINT1010



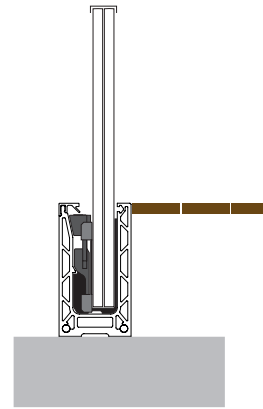
CUSTOMIZE YOUR FINISHES



ANODIZED ALUMINUM
Code: 01



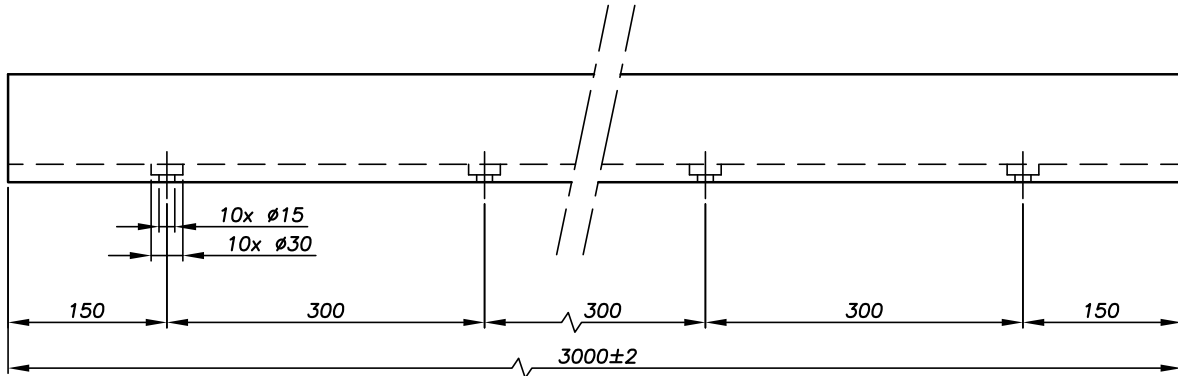
RAL
Code: 03



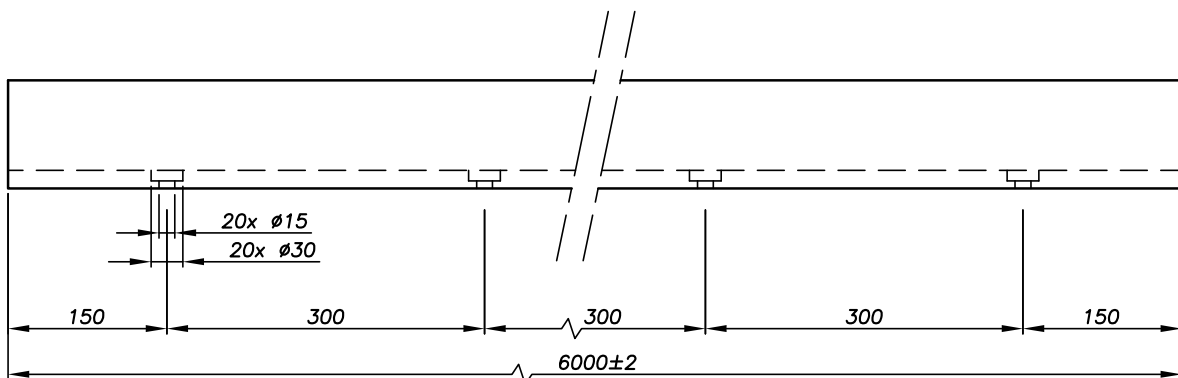
BUILT-IN-SLAB MOUNTING

TECHNICAL PLANS

► 3 000 mm - Reference 0090SF-R70



► 6 000 mm - Reference 0090SF-R80





LATERAL MOUNTING

PROFILE 0971

GLASS THICKNESS
12.4 > 21.6 mm



APPLICATION | RESIDENTIAL | PUBLIC |

POSSIBLE FINISHES



01
Anodized
aluminum



03
RAL

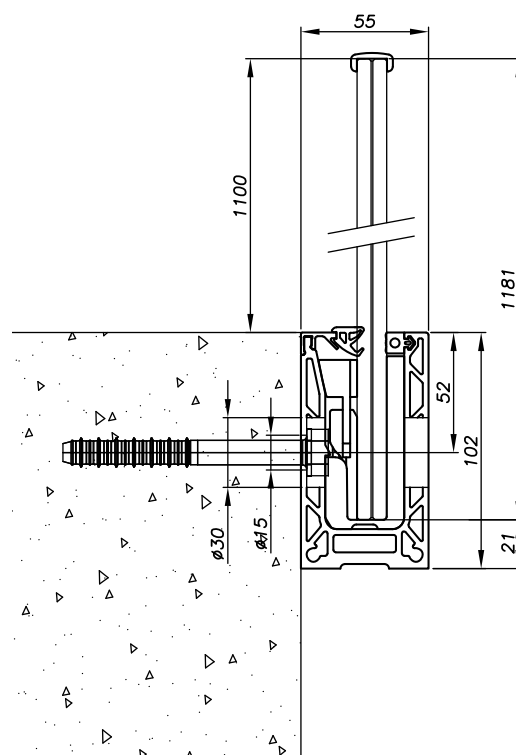


03B
RAL
BLACK



TECHNICAL CHARACTERISTICS

Length	3 000 mm (0090SF-R71) 6 000 mm (0090SF-R81)
Width	55 mm
Height of profile	102 mm
Material	Anodized aluminum 20 µm
Type of application	Residential / public
Type de mounting	Lateral
Thickness of glass	Laminated. 6.6 (12.4 > 13.9mm) 8.8 (16.2 > 17.6mm) 10.10 (21.2 > 21.6mm)
Height of guardrail	1 100 mm
Profile finish	Anodized aluminum RAL - black
Fixing the profile	Every 300 mm



CERTIFICATIONS



ONE SIDE FIXE WEDGE

Glasses: 6.6

Glass thickness: 12.4 > 13.9
Ref. : 0090SF-K12-0606

Glasses: 8.8

Glass thickness: 16.2 > 17.6
Ref. : 0090SF-K12-0808

Glasses: 10.10

Glass thickness: 21.2 > 21.6
Ref. : 0090SF-K12-1010

CLADDING GASKET

SNAP-FIT



Ref. : 009JC0809A-N



Ref. : 009JC0309A-N



HIGH CLADDING

Ref. : 0090SF-C310
Length: 3 m

Ref. : 0090SF-C610
Length: 6 m

CLADDING GASKET

PRESS-IN

Glasses: 06.06

Ref. : 009JOINT0606

Glasses: 08.08

Ref. : 009JOINT0808

Glasses: 10.10

Ref. : 009JOINT1010

HOLE PLUG

Ref. : 007BOU-D30-G
007BOU-D30-N

END CAP

Ref. : 0090SF-CECLD01
0090SF-CECLG01



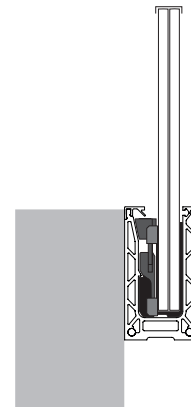
CUSTOMIZE YOUR FINISHES



ANODIZED ALUMINUM
Code: 01



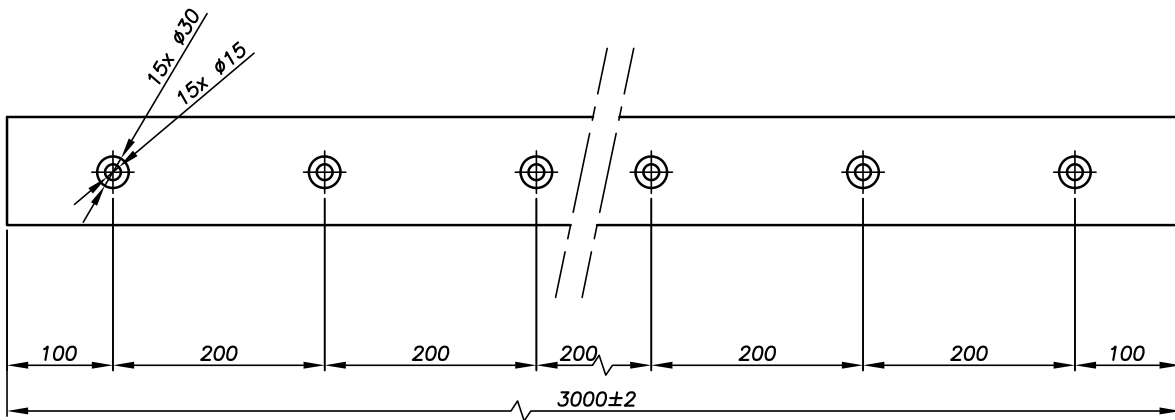
RAL
Code: 03



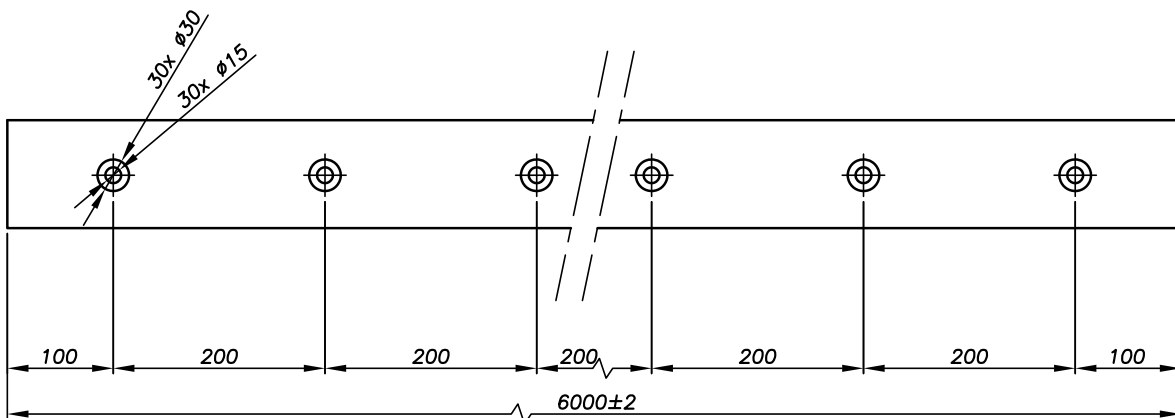
LATERAL MOUNTING

TECHNICAL PLANS

► 3 000 mm - Reference **0090SF-R71**



► 6 000 mm - Reference **0090SF-R81**





OFFSET FLOOR MOUNTING

PROFILE 0977

GLASS THICKNESS
12.4 > 21.6 mm



APPLICATION | RESIDENTIAL | PUBLIC |

POSSIBLE FINISHES

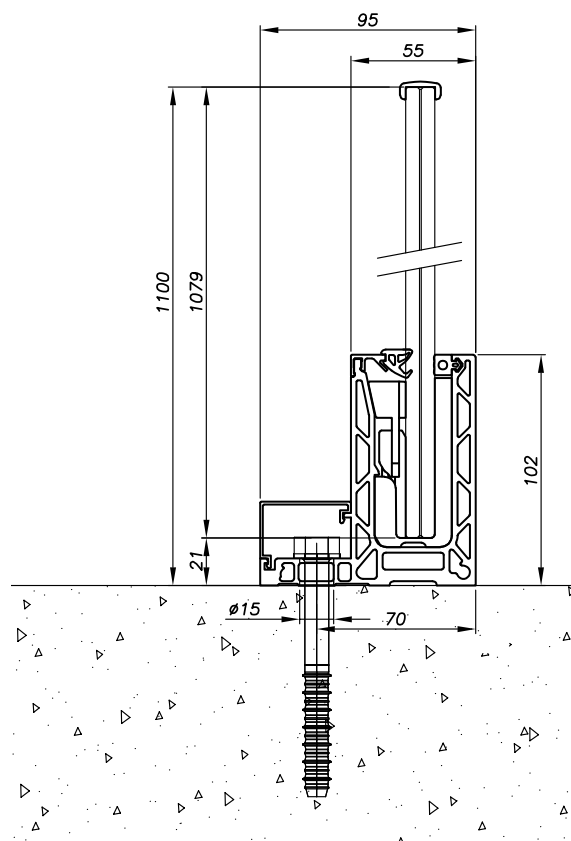


OPTION
with
cladding

TECHNICAL CHARACTERISTICS

Length	3 000 mm (0090SF-R77) 6 000 mm (0090SF-R87)
Width	95 mm
Height of profile	102 mm
Material	Anodized aluminum 20 µm
Type of application	Residential / public
Type de mounting	Offset floor
Thickness of glass	Laminated. 6.6 (12.4 > 13.9mm) 8.8 (16.2 > 17.6mm) 10.10 (21.2 > 21.6mm)
Height of guardrail	1 100 mm
Profile finish	Anodized aluminum RAL - black
Fixing the profile	Every 300 mm

CERTIFICATIONS



ONE SIDE FIXE WEDGE

Glasses: 6.6

Glass thickness: 12.4 > 13.9
Ref. : 009OSF-K12-0606

Glasses: 8.8

Glass thickness: 16.2 > 17.6
Ref. : 009OSF-K12-0808

Glasses: 10.10

Glass thickness: 21.2 > 21.6
Ref. : 009OSF-K12-1010

CLADDING GASKET

PRESS-IN

Verres. 06.06
Ref. 009JOINT0606

Verres. 08.08
Ref. 009JOINT0808

Verres. 10.10
Ref. 009JOINT1010

SNAP-FIT

Ref. 009JC0809A-N

Ref. 009JC0309A-N

HIGH CLADDING

Ref. : 009OSF-C310
Length: 3 m

Ref. : 009OSF-C610
Length: 6 m

OPTION CLADDING

Ref. 009OSF-C377
Length. 3 m

Ref. 009OSF-C677
Length. 6 m

END CAP

Ref. 009OSF-CE77AD

Ref. 009OSF-CE77AG

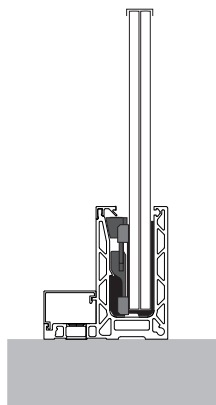
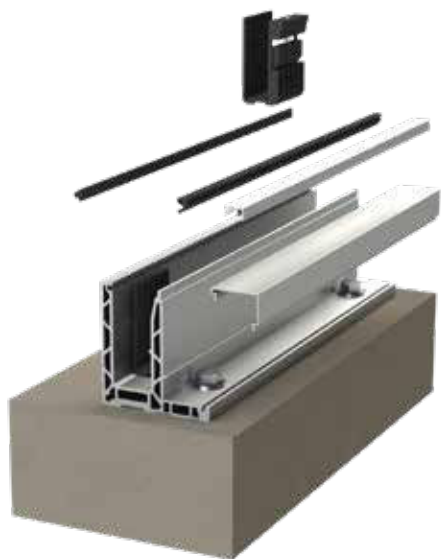
Ref. 009OSF-CE77BD

Ref. 009OSF-CE77BG

CUSTOMIZE YOUR FINISHES

ANODIZED ALUMINUM
Code: 01

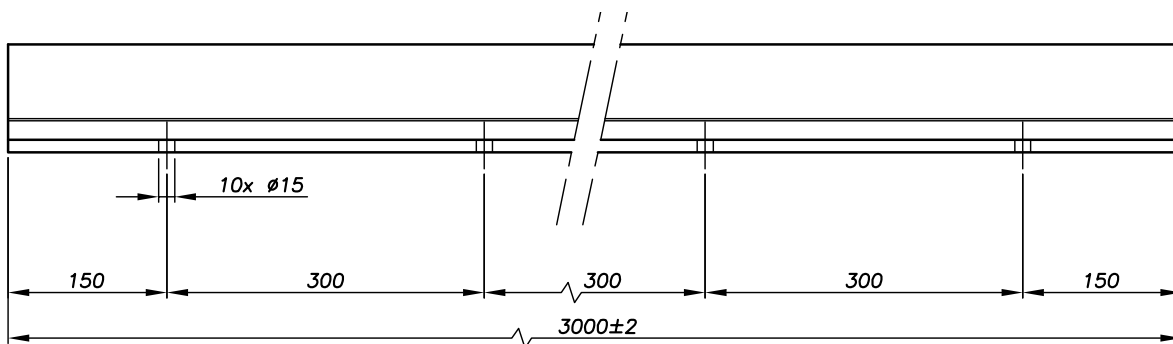
RAL
Code: 03



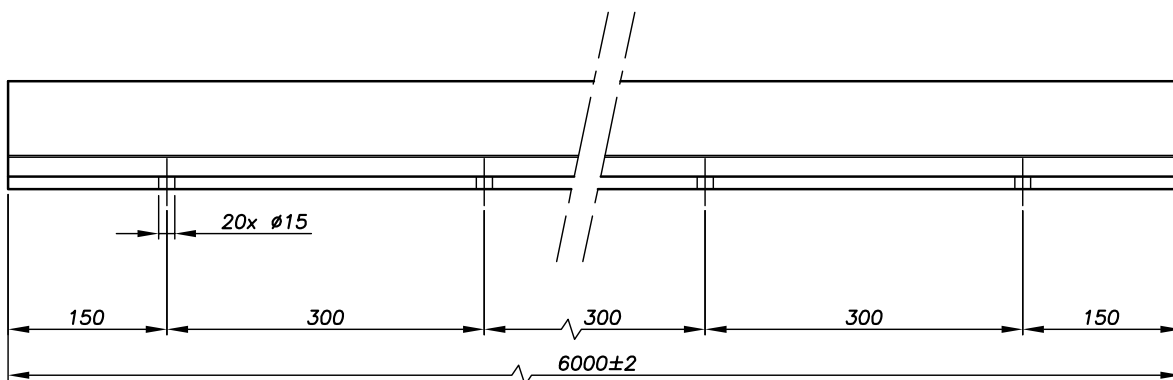
OFFSET FLOOR MOUNTING

TECHNICAL PLANS

► 3 000 mm - Reference **0090SF-R77**



► 6 000 mm - Reference **0090SF-R87**





AVAILABLE SOON

OFFSET LATERAL MOUNTING

PROFILE 0973

GLASS THICKNESS
12.4 > 21.6 mm



APPLICATION | RESIDENTIAL | PUBLIC |

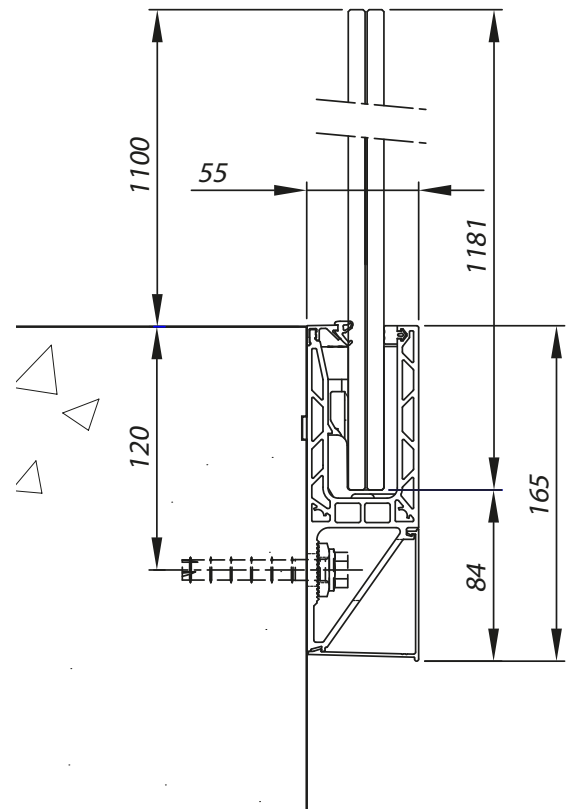
POSSIBLE FINISHES



OPTION with cladding

TECHNICAL CHARACTERISTICS

Length	3 000 mm (0090SF-R73) 6 000 mm (0090SF-R83)
Width	55 mm
Height of profile	165 mm
Material	Anodized aluminum 20 µm
Type of application	Residential / public
Type de mounting	Offset lateral
Thickness of glass	Laminated. 6.6 (12.4 > 13.9 mm) 8.8 (16.2 > 17.6 mm) 10.10 (21.2 > 21.6 mm)
Height of guardrail	1 100 mm
Profile finish	Anodized aluminum RAL - black
Fixing the profile	Every 300 mm



CERTIFICATIONS



ONE SIDE FIXE WEDGE

Glasses: 6.6

Glass thickness: 12.4 > 13.9
Ref. : 009OSF-K12-0606

Glasses: 8.8

Glass thickness: 16.2 > 17.6
Ref. : 009OSF-K12-0808

Glasses: 10.10

Glass thickness: 21.2 > 21.6
Ref. : 009OSF-K12-1010

HIGH CLADDING

Ref. : 009OSF-C310
Length: 3 m

Ref. : 009OSF-C610
Length: 6 m

HIGH CLADDING

PRESS-IN

Verres. 06.06

Ref. 009JOINT0606

Verres. 08.08

Ref. 009JOINT0808

Verres. 10.10

Ref. 009JOINT1010

SNAP-FIT

Ref. 009JC0809A-N

Ref. 009JC0309A-N

OPTION CLADDING

Ref. 009OSF-C377
Length. 3 m

Ref. 009OSF-C677
Length. 6 m

END CAP

Ref. 009OSF-CEC73D
Ref. 009OSF-CEC73G

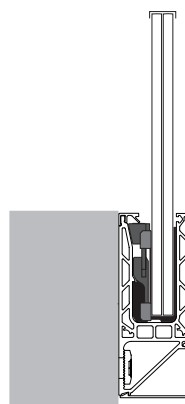
CUSTOMIZE YOUR FINISHES



ANODIZED ALUMINUM
Code: 01



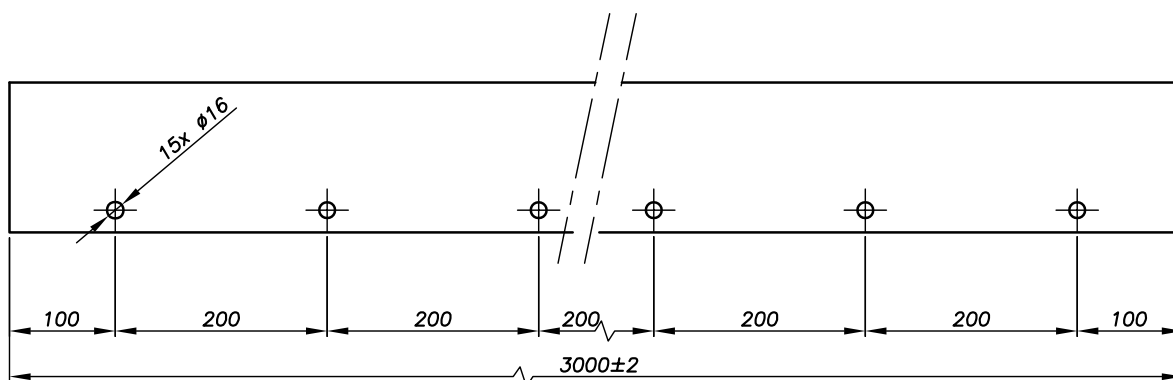
RAL
Code: 03



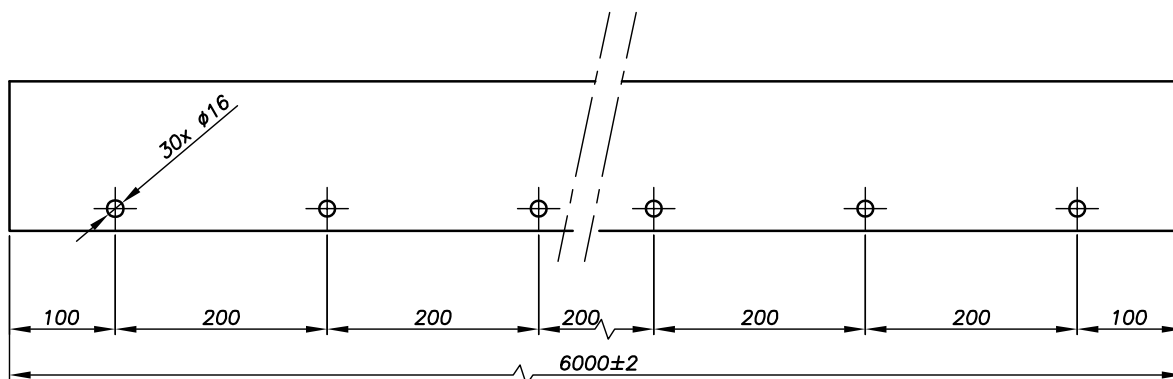
OFFSET LATERAL MOUNTING

TECHNICAL PLANS

► 3 000 mm - Reference **0090SF-R73**



► 6 000 mm - Reference **0090SF-R83**







HANDRAILS

CHOOSE **your style**

Maintain an elegant and successful design of your railing by opting for a handrail that will give contrast to your project.

In addition to the aesthetic side, **its primary function** is **the protection of the top of the glass** which is the most fragile part.

 **Our EXPERT advice:** The installation of an aluminum or stainless steel handrail allows an easy alignment of the glass panels.



GLASS CLAMPED HANDRAIL
Fixing between glasses

Réf. 00101030-1218

ITS ADVANTAGES:

- Allows you to attach a handrail
- Easy to assemble
- Very resistant



CLAMP BETWEEN GLASS

Réf. 009REL5060-12-9/16

 **ASK FOR OUR BROCHURE ON our complete range of handrails.**





**WOOD,
an authentic choice**

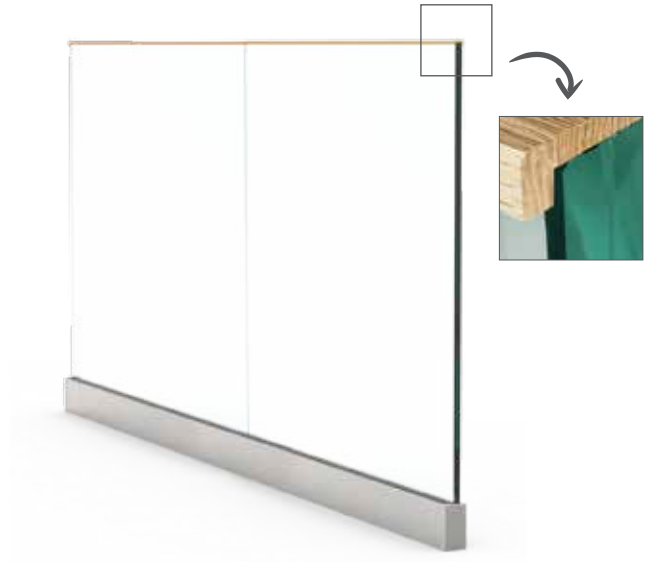
An ecological material and natural.

ITS ADVANTAGES:

- Noble and natural material
- Easy change of color (varnish or paint)
- Warm atmosphere

Réf. 0010202410240W10

Other references are available



**ALUMINUM,
a modern look**

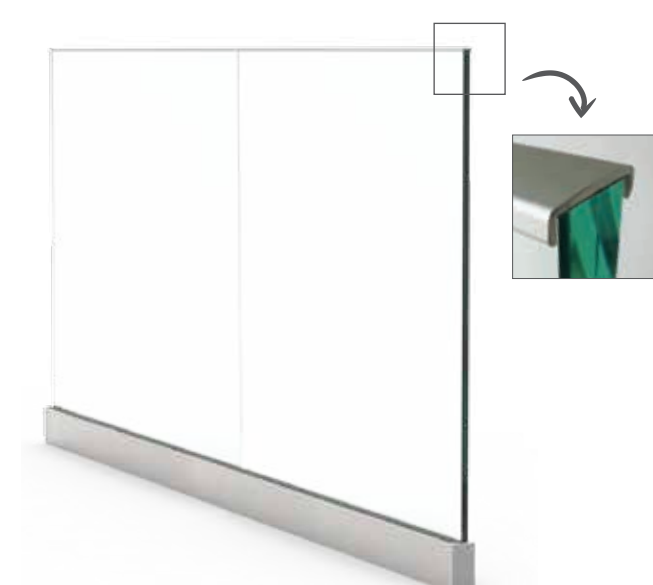
The right finish for different project styles.

ITS ADVANTAGES:

- Resistant and durable material.
- More sober effect.
- Very little maintenance (Sadev cleaning kit).

Réf. 0010201308250

Other references are available



**STAINLESS STEEL,
a contemporary style**

Design and refined, stainless steel is recognized for its great durability.

ITS ADVANTAGES:

- Solid.
- Resistant to temperature variations.
- Anti-corrosion.
- Very low maintenance (Sadev cleaning kit).

Réf. 0010201410300A4

Other references are available



FIXINGS

We can provide you with assistance in sizing or justification. Do not hesitate to contact us.
Non-exhaustive list, other fasteners are available upon request.

CONCRETE SCREW

Very high performance for permanent fastening into concrete.



Ref. 09FIX-VBAZ-10

Concrete screw 10x90
 Zinc-plated steel
 50 pieces



Ref. 09FIX-VBAZ-12

Concrete screw 12x110
 Zinc-plated steel
 20 pieces



Ref. 09FIX-VBA4-10

Concrete screw 10x90
 Stainless steel A4
 50 pieces



Ref. 09FIX-VBA4-12

Concrete screw 12x110
 Stainless steel A4
 20 pieces

DOWELS

High performance - Galvanised steel and A4 stainless steel



Ref. 09FIX-CDAZ-10

Socket dowel 10 x 70
 Zinc plated steel
 50 pieces



Ref. 09FIX-CDAZ-12

Sleeve dowel 12 x 90
 Zinc plated steel
 50 pieces



Ref. 09FIX-CDA4-10

Socket dowel 10 x 70
 Stainless steel A4
 50 pieces



Ref. 09FIX-CDA4-12

Socket dowel 12 x 90
 Stainless steel A4
 50 pieces

ANCHOR BOLT

For high demand. Heavy loads can be fixed in cracked concrete.



Ref. 09FIX-GAAZ-10

Anchor bolt 10 x 95
 Galvanised steel
 50 pieces



Ref. 09FIX-GAAZ-12

Anchor bolt 12 x 110
 Galvanised steel
 20 pieces



Ref. 09FIX-GAA4-10

Anchor bolt 10 x 95
 Stainless steel A4
 50 pieces



Ref. 09FIX-GAA4-12

Anchor bolt 12 x 110
 Stainless steel A4
 20 pieces

ACCESSORIES FOR MOUNTING

CHEMICAL SEALANT KIT



Ref. 09FIX-SCAZ-10

Resin cartridge - chemical sealant M10 dowel galvanised steel
Hexagonal head screw M10x30 - Steel Washer
Int. Ø10 - Ext. Ø 22 - Ht 02 - Steel



Ref. 09FIX-SCA4-10

Resin cartridge - chemical sealant M10 dowel A4 stainless steel
Hexagon head screw M10x30 - Stainless steel A4
Washer - Int. Ø10 - Ext. Ø 22 - Ht 02
Stainless steel A4

Ref. 09FIX-SCAZ-12

Resin cartridge - chemical sealant M12 dowel galvanised steel
Hexagon head screw M12x30 - Steel
Washer - Int. Ø12 - Ext. Ø 27 - Ht 02.5 - Steel

Ref. 09FIX-SCA4-12

Resin cartridge - chemical sealant M12 dowel A4 stainless steel
Hexagon head screw M12x30 - A4 stainless steel
Washer - Int. Ø12 - Ext. Ø 27 - Ht 02.5
Stainless steel A4



Ref. 09ACC-FIX-PI-SC

Manual chemical sealant gun



Ref. 09ACC-ECOUV10

Concrete swab - Ø10

Ref. 09ACC-ECOUV12

Concrete swab - Ø10 - Ø12



Ref. 09ACC-SOUF

Blow pump cleaning tool for drilling

Ref. 09ACC-ECOUV16/18

Concrete swab - Ø10
Ø16 - Ø18

SCREWDRIVER & BIT



Ref. 007-TRVS-2NM

Torque screwdriver
(handle + bit)



Ref. 007-TORX-T20/150

Torx bit
Size 25 - Tightening 2 Nm



Violet ring
Tightening 2 Nm

Tempered / hardened glass

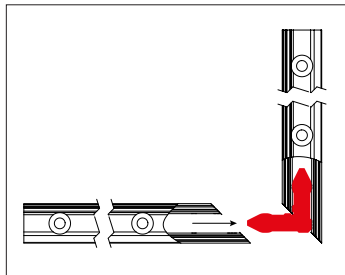
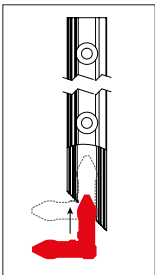
Using the torque screwdriver is required to receive the minimum two year warranty.

CONNECTOR 90°



Ref. 009OSF-CONNEC90

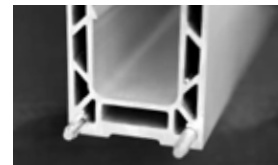
Aluminium
Dimensions. 90 x 90



ALIGNMENT PINS FOR PROFILE



Ref. 007PIN-06-30



Used to align the profiles and ensure the desired performance of the system.

SPACERS



Ref. 009OSF-ESPAC-0606

Glass. 06.06

Ref. 009OSF-ESPAC-0808

Glass. 08.08

Ref. 009OSF-ESPAC-1010

Glass. 10.10



Spacers for use between glass panels - thickness 5 mm - Black plastic
Fixing: to be glued

LEVELING TOOL

This tool allows for easy leveling of the profile.



Ref. 007OUTNIV01-OSF

Sold in pairs



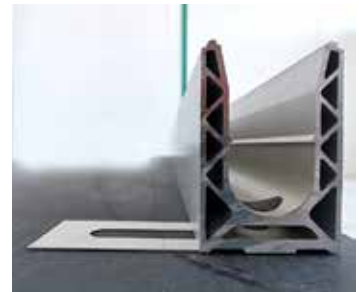
SHIMS

Used to level the profile on uneven surfaces.



Ref. 009SHIM055-10-01

Ref. 009SHIM-K10-10-01



GLASS HEIGHT ADJUSTMENT WEDGE

The adjusting wedge ensures precise alignment of the top edge of the glass.



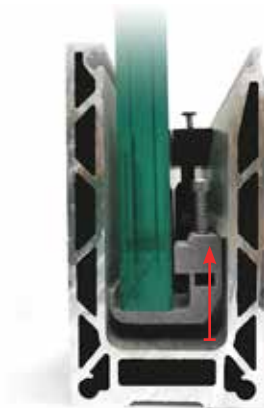
Ref. 009OSF-K10RHT1010

Glass thickness up to 1010
Set of 10 pieces

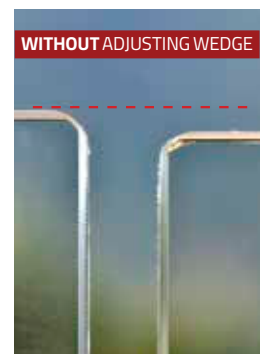
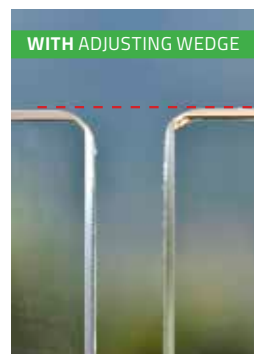


Ref. 009OSF-K10RHT0808

Glass thickness up to 0808
Set of 10 pieces



A PERFECT ALIGNMENT!





We Build the Invisible

CLASSIC

DECOR

CONSTRUCT

SABCO

SWIMSIDE

Member of
**SIMONSWERK
GROUP**

Tél. +33(0) 4 50 08 39 00 | info@sadev.com
76, chemin des Poses - 74330 Poisy (France)

sadev.com
follow us on

